

## FEATURES

- 3 analog/digital inputs configurable as follows:
  - Binary inputs (push button, switch/sensor).
  - Motion sensor.
  - Temperature probe.
- 10 logical functions.
- Total data saving on KNX bus failure.
- Dimensions 39 x 39 x 14mm.
- Can be mounted within distribution boxes, junction boxes or wall back boxes.
- Integrated KNX BCU.
- Conformity with the CE directives (CE-mark on the front side).

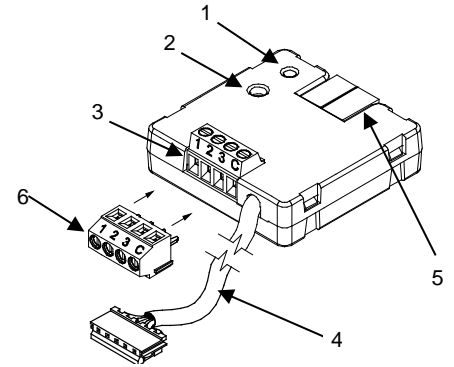


Figure 1. KLIC-DD3

1. Programming LED	2. Programming button	3. Inputs
4. Cable with S21 terminal	5. KNX connector	6. Additional Terminal Block

**Programming button:** short button press to set programming mode. If this button is held while plugging the device to the KNX bus, it enters into safe mode.

**Programming LED:** programming mode indicator (red). When the device enters into safe mode, it blinks (red) every half second. During the start-up (reset or after KNX bus failure) and if the device is not in safe mode, it emits a red flash.

## GENERAL SPECIFICATIONS

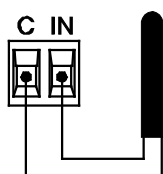
CONCEPT		DESCRIPTION		
Type of device		Electric operation control device		
KNX supply	Voltage (typical)	29VDC SELV		
	Voltage range	21...31VDC		
	Maximum consumption	Voltage	mA	mW
		29VDC (typical)	4.6	133.4
24VDC <sup>(1)</sup>	10	240		
Connection type		Typical TP1 bus connector for rigid cable 0.80mm Ø		
External power supply		Not required		
Operation temperature		0°C to +55°C		
Storage temperature		-20°C to +55°C		
Operation humidity		5 to 95% RH (no condensation)		
Storage humidity		5 to 95% RH (no condensation)		
Complementary characteristics		Class B		
Protection class		III		
Operation type		Continuous operation		
Device action type		Type 1		
Electrical stress period		Long		
Degree of protection		IP20, clean environment		
Installation		Independent device to be mounted in electrical panels, distribution boxes, junction boxes or wall back boxes.		
Minimum clearances		Not required		
Response on KNX bus failure		Data saving according to parameterization		
Response on KNX bus restart		Data recovery according to parameterization		
Operation indicator		Programming LED indicates programming mode (red)		
Weight		30g		
PCB CTI index		175V		
Housing material		PC FR V0 halogen free		

<sup>(1)</sup> Maximum consumption in the worst case scenario (KNX Fan-In model)

INPUTS SPECIFICATIONS AND CONNECTIONS	
CONCEPT	DESCRIPTION
Number of inputs	3
Inputs per common	3
Operation voltage	+3.3VDC in the common
Operation current	1.0mA @ 3.3VDC (per input)
Maximum impedance	Approx. 3.3kΩ
Switching type	Dry voltage contacts between input and common
Connection method	Screw terminal block
Maximum cable length	30m
NTC probe length	1.5m (up to 30m)
NTC accuracy (@ 25°C)	±0.5°C
Temperature resolution	0.1°C
Cable cross-section	0.5 to 1.0 mm <sup>2</sup> (26-16AWG)
Maximum response time	10ms

Any combination of the next **accessories** is allowed in the inputs:

#### Temperature Probe



Zennio temperature probe.

#### Motion Sensor

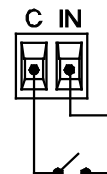


Up to two motion sensors can be plugged into the same device input (parallel wiring)

Motion sensor screw terminal.

**Motion sensor references:**  
ZN110-DETEC-P<sup>(2)</sup>  
ZN110-DETEC-X

#### Switch/Sensor/ Push button



<sup>(2)</sup> The micro switch number 2 in the ZN110-DETEC-P sensor **must be in Type B position** to work properly.

S21 TERMINAL SPECIFICATIONS AND CONNECTIONS	
CONCEPT	DESCRIPTION
Cable length	70cm approx.
Number and section of wires	5 x 28AWG (0.08mm <sup>2</sup> )
Connector pitch	2.5mm
Operation voltage	5VDC
Connection in Daikin equipment	S21 connector

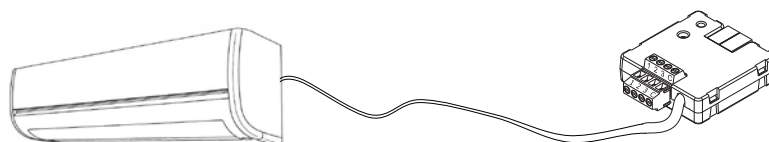
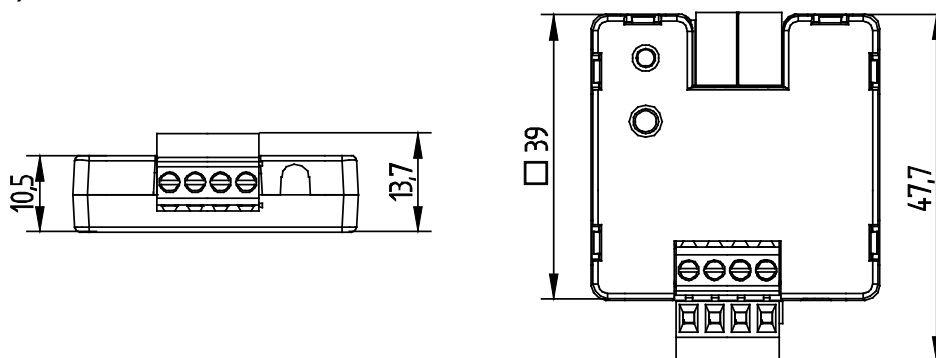


Figure 2. Wiring KLIC-DD3 to a Daikin device

#### DIMENSIONS (in mm)



#### SAFETY INSTRUCTIONS

- Installation should only be performed by qualified professionals according to the laws and regulations applicable in each country.
- Do not connect the mains voltage nor any other external voltage to any point of the KNX bus; it would represent a risk for the entire KNX system. The facility must have enough insulation between the mains (or auxiliary) voltage and the KNX bus or the wires of other accessories, in case of being installed.
- Once the device is installed (in the panel or box), it must not be accessible from outside.
- Keep the device away from water and do not cover it with clothes, paper or any other material while in use.
- The WEEE logo means that this device contains electronic parts and it must be properly disposed of by following the instructions at <http://zennio.com/wEEE-regulation>.