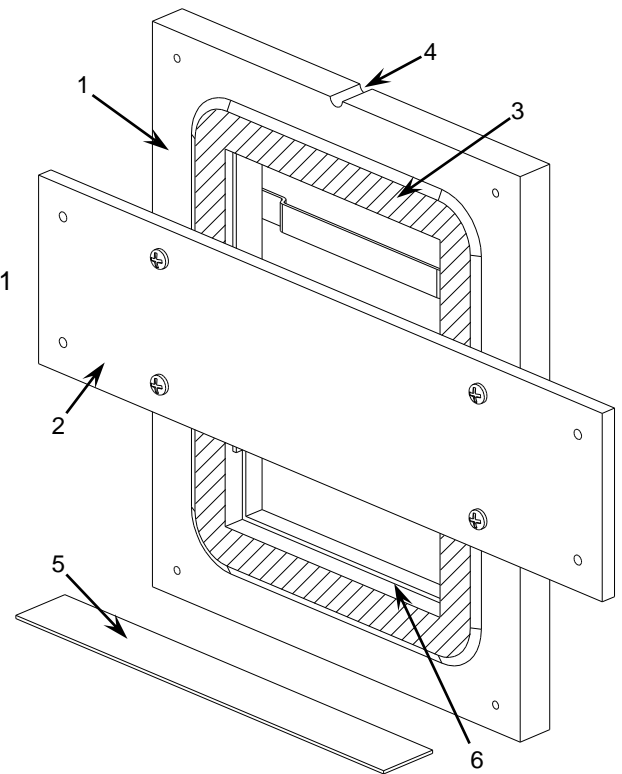


FEATURES

- Suitable for drywalls (thickness: 13 to 18mm).
- Material: Waterproof Medium Density Fibreboard.
- Dimensions: 180 x 150 x 13,6mm.
- 2 types of rear supplements to be used as thickness adaptors (1 and 2mm thick).*
- Not suitable for mounting on fire sector limit walls.
- Only for devices with Polycarbonate frames.
- Zennio devices compatible:
 - Touch-MyDesign Plus (4/6/8)
 - TMD-Display One, TMD-Display View
 - Z41 Pro, Z41 Lite

Note: Internal temperature probe of the device loses its functionality.

* Double-sided adhesive tape is supplied to make the installation easier.



1. Flush mounting accessory

2. Auxiliary mounting part

3. Even surface

4. Orientation mark

5. Rear supplements

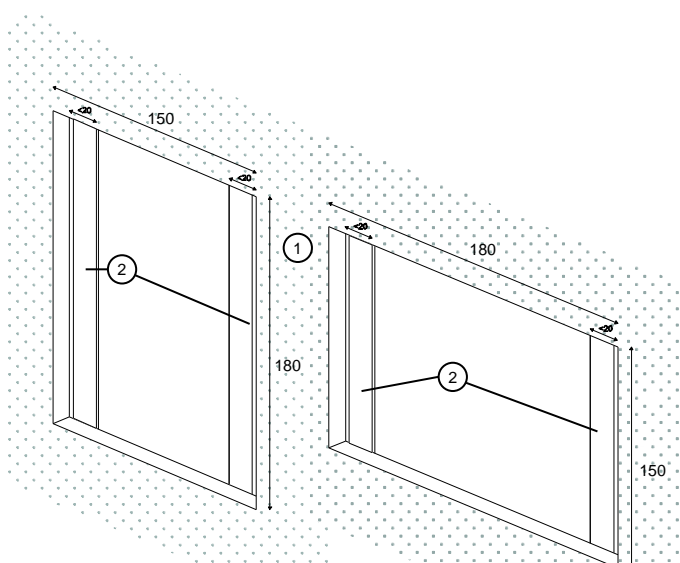
6. Accessory internal area

MOUNTING INSTRUCTIONS

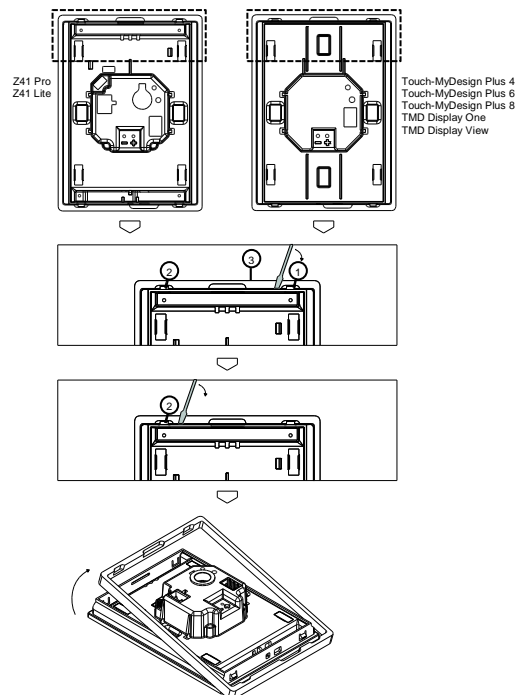
1 Please make the hole in the drywall (1) and install the profiles (2) along the borders of the hole considering the device orientation. The profiles must not rise above the hole more than 20mm.

Vertical orientation

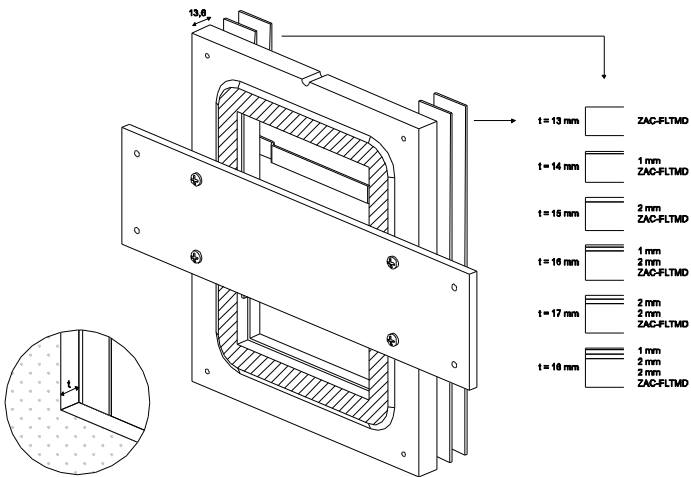
Horizontal orientation



2 In the upper part of the device rear side, separate the profiles (2) along the borders of the hole considering the device orientation. The profiles must not rise above the hole more than 20mm. In the upper part of the device rear side, separate the frame of the device with a screwdriver near the groove (1) and push back the frame (3). Repeat the operation in the other upper groove (2). Remove the frame.

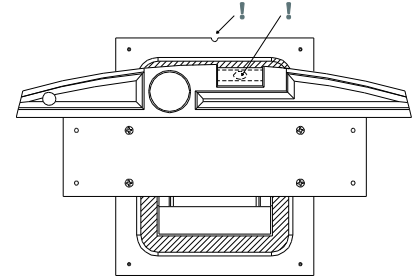


3 Paste the necessary *rear supplements* to make the accessory and the drywall thickness match.

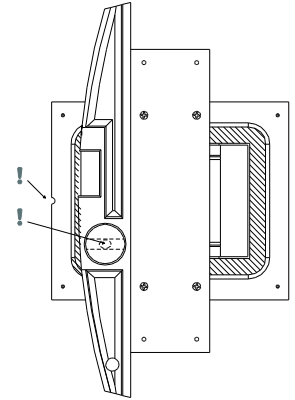


4 Place the accessory into the hole and adjust the exact horizontal (or vertical) position with the help of a level.

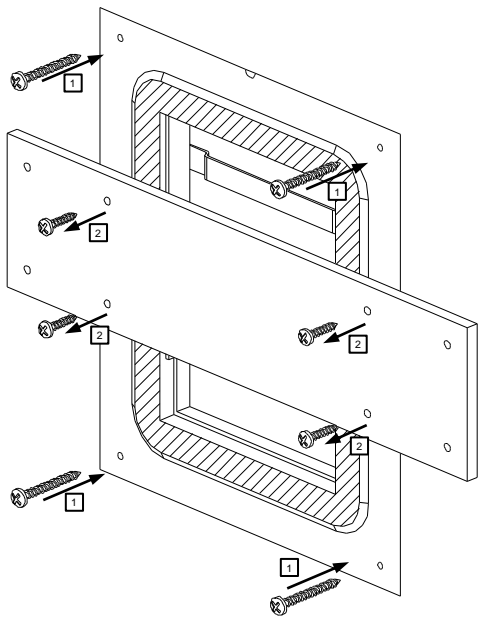
Vertical



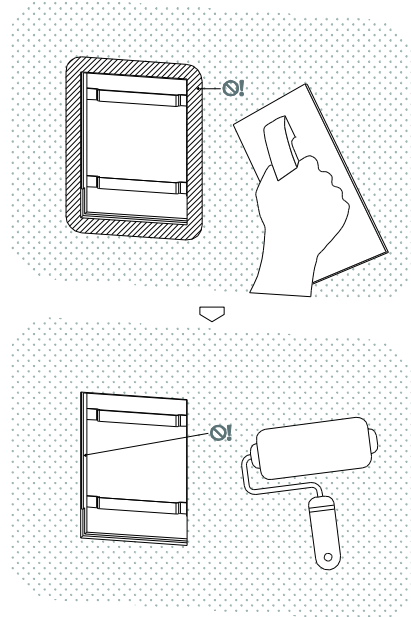
Horizontal



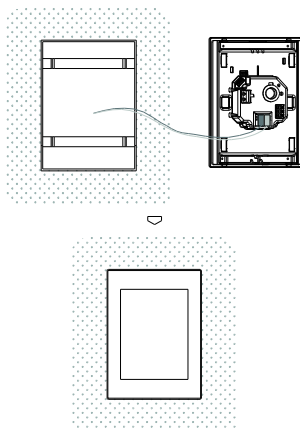
5 Fix the accessory to the dry-wall frames with suitable screws (not included) [1]. Once fixed, the *auxiliary mounting part* can be removed by taking the four screws off [2].



6 Plastering works must be done avoiding the *even surface*. Once the plaster is dry, wall painting and finishing works can be done (*accessory internal area must not be painted*)



7 The device can now be connected. Finally, it must be fixed into its definitive position.



REMOVAL STEPS

The device can be removed by pressing the device on the furthest area to the *orientation mark*, commonly the bottom (right area in case of horizontal installation) to make it tilt [1]. Afterwards, it can be removed [2].

