

FEATURES

- Possibility of controlling up to 64 DALI ballasts (32 for emergency lighting) and up to 64 lighting groups (groups from number 17 to number 64 are only for one DALI ballast)
- Scene sending and saving
- Error detection and monitoring
- Burn-in, Stand-by and Auto-off functions
- Manual control through buttons and status indication through display
- 1.54" display (128 x 64 pixels) for settings and notifications
- External power supply of 110-240V 50/60Hz
- Total data saving on KNX bus failure
- Integrated KNX BCU
- Size 67 x 90 x 79mm (4.5 DIN units)
- DIN rail mounting according to IEC 60715 TH35, with fixing clamp
- DALI Standard certified
- Conformity with the CE directives (CE-mark on the right side)

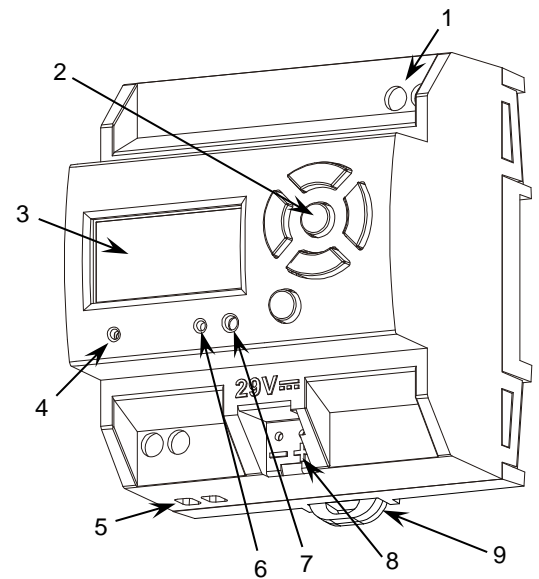


Figure 1: DALI-BOX Interface v2

1. DALI bus channel	2. Control buttons	3. Display	4. Power supply indicator LED
5. External power supply	6. Programming LED	7. Programming button	8. KNX connector
			9. Fixing clamp

Programming button: short press to set programming mode. If this button is held while plugging the device into the KNX bus, it enters the safe mode.

Programming LED: programming mode indicator (red). When the device enters the safe mode, it blinks (red) every half second. During the start-up (reset or after KNX bus failure) and if the device is not in safe mode, it emits a red flash.

GENERAL SPECIFICATIONS

CONCEPT		DESCRIPTION		
Type of device		Electric operation control device		
KNX supply	Voltage (typical)	29VDC SELV		
	Voltage range	21..31VDC		
	Maximum consumption	Voltage	mA	mW
		29VDC (typical)	6	174
24VDC ¹	10	240		
Connection type		Typical TP1 bus connector for 0.80mm Ø rigid cable		
External power supply		110-240VAC 50/60Hz		
Operation temperature		-5°C .. +45°C		
Storage temperature		-20°C .. +55°C		
Operation humidity		5 .. 95%		
Storage humidity		5 .. 95%		
Complementary characteristics		Class B		
Protection class		II		
Operation type		Continuous operation		
Device action type		Type 1		
Electrical stress period		Long		
Degree of protection		IP20, clean environment		
Installation		Independent device to be mounted inside electrical panels with DIN rail (IEC 60715)		
Minimum clearances		Not required		
Response on KNX bus failure		Data saving according to parameterization		
Response on KNX bus restart		Data recovery according to parameterization		
Operation indicator		The programming LED indicates programming mode (red). The power supply LED indicates external power (green). Display allows both configuring the DALI system and supervising the current status.		
Weight		186g		
PCB CTI index		175V		
Housing material		PC FR V0 halogen free		

¹ Maximum consumption in the worst-case scenario (KNX Fan-In model).

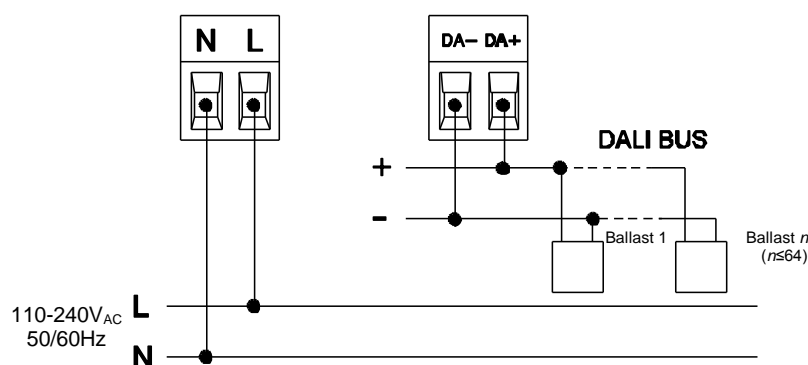
DALI OUTPUT SPECIFICATIONS AND CONNECTIONS

CONCEPT	DESCRIPTION
Number of channels	1
Output type / Voltage	DALI bus / 17VDC SELV
Guaranteed current per channel	128mA
Maximum current per channel	250mA
Maximum DALI ballasts per channel	64
Maximum length of cable	300m (@ 1.5mm ²)
Short-circuit protection	YES
Overload protection	YES
Over-voltage protection	YES
Connection method	Screw terminal block
Cable cross-section	1.5-4mm ² (IEC) / 26-10AWG (UL)

EXTERNAL POWER SUPPLY SPECIFICATIONS AND CONNECTIONS

CONCEPT	DESCRIPTION	
Power supply protection fuse	Voltage	250V
	Current	4A
	Response type	F (Fast acting)
Connection method	Screw terminal block	
Cable cross-section	1.5-4mm ² (IEC) / 26-10AWG (UL)	

WIRING DIAGRAMS



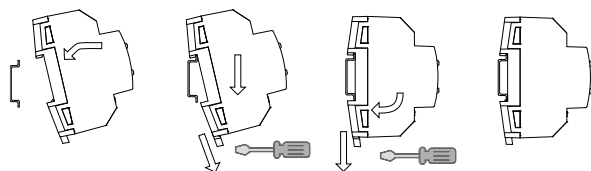
△ NOTE:

In case of ballast replacement, please, pay attention to the steps defined in the manual.

△ NOTE:

In case of a DALI channel short circuit, the device will monitor the DALI channel in order to switch on the output at full current just as the short circuit is removed.

Attaching DALI-BOX Interface v2 to DIN rail:



Removing DALI-BOX Interface v2 from DIN rail:

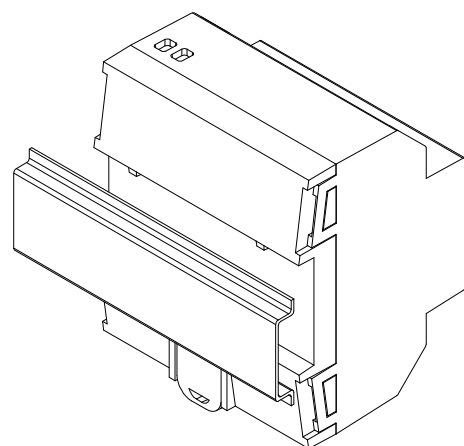
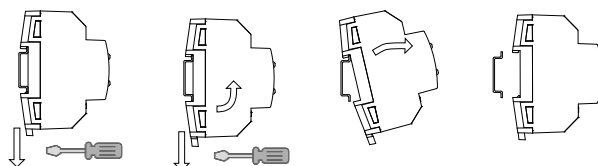


Figure 2: Mounting DALI-BOX Interface v2 on DIN rail

SAFETY INSTRUCTIONS AND ADDITIONAL NOTES

- Installation should only be performed by qualified professionals according to the laws and regulations applicable in each country.
- Do not connect the mains voltage nor any other external voltage to any point of the KNX bus; it would represent a risk for the entire KNX system. The facility must have enough insulation between the mains (or auxiliary) voltage and the KNX bus or the wires of other accessories, in case of being installed.
- The facility must be equipped with a device that ensures the omnipolar sectioning. Installation of a 10A mini-circuit-breaker is recommended. To prevent accidents, it must remain open in case of manipulation of the device.
- The device has a short-circuit protection fuse that, in case of activation, should only be rearmed or replaced by the Zennio technical service.
- This device contains a security short-circuit proof transformer.
- Once the device is installed (in the panel or box), it must not be accessible from outside.
- For indoor use only.
- Keep the device away from water (condensation over the device included) and do not cover it with clothes, paper or any other material while in use.
- This device contains a security short-circuit proof transformer.
- The WEEE logo means that this device contains electronic parts and it must be properly disposed of by following the instructions at <https://www.zennio.com/en/legal/wEEE-regulation>.
- This device contains software subject to specific licences. For details, please refer to <http://zennio.com/licenses>.