



## Connector; For EIB applications

Item No.: 243-211



Connector; For EIB applications

### Marking

RoHS   
Compliant

### Business data

Supplier	WAGO
Item no.	243-211
GTIN / EAN	4044918442831
Content	1
Order amount	50
Customer item number	

### Notes

Item description: Compact, 4-conductor EIB connector with PUSH WIRE® Simple push-in termination for solid conductors 4-conductor entry allows devices to be replaced without disrupting the EIB bus connection

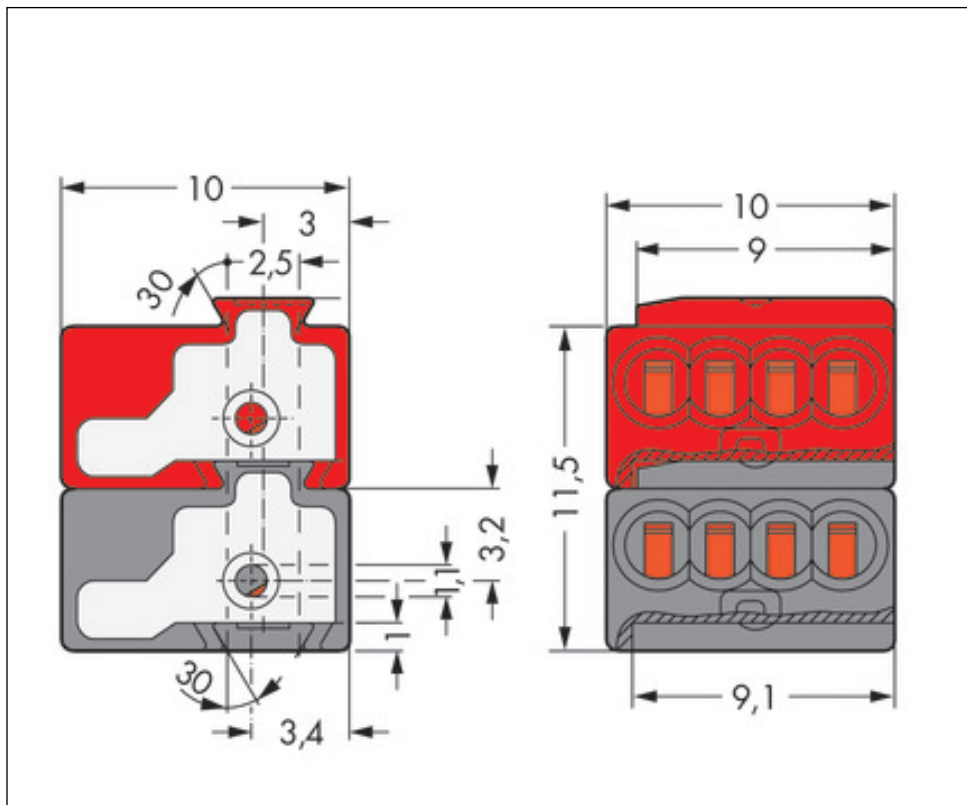
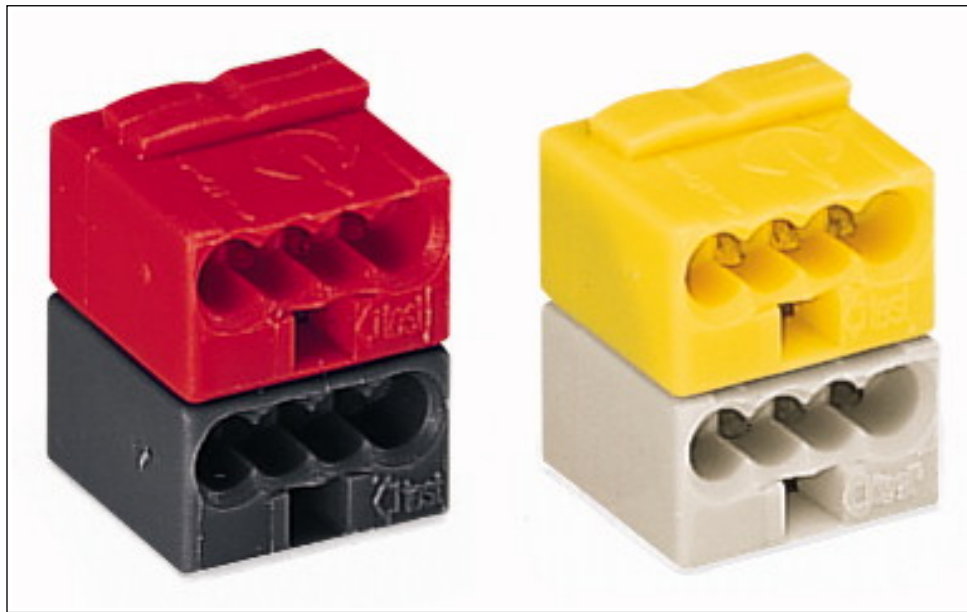
### Technical data

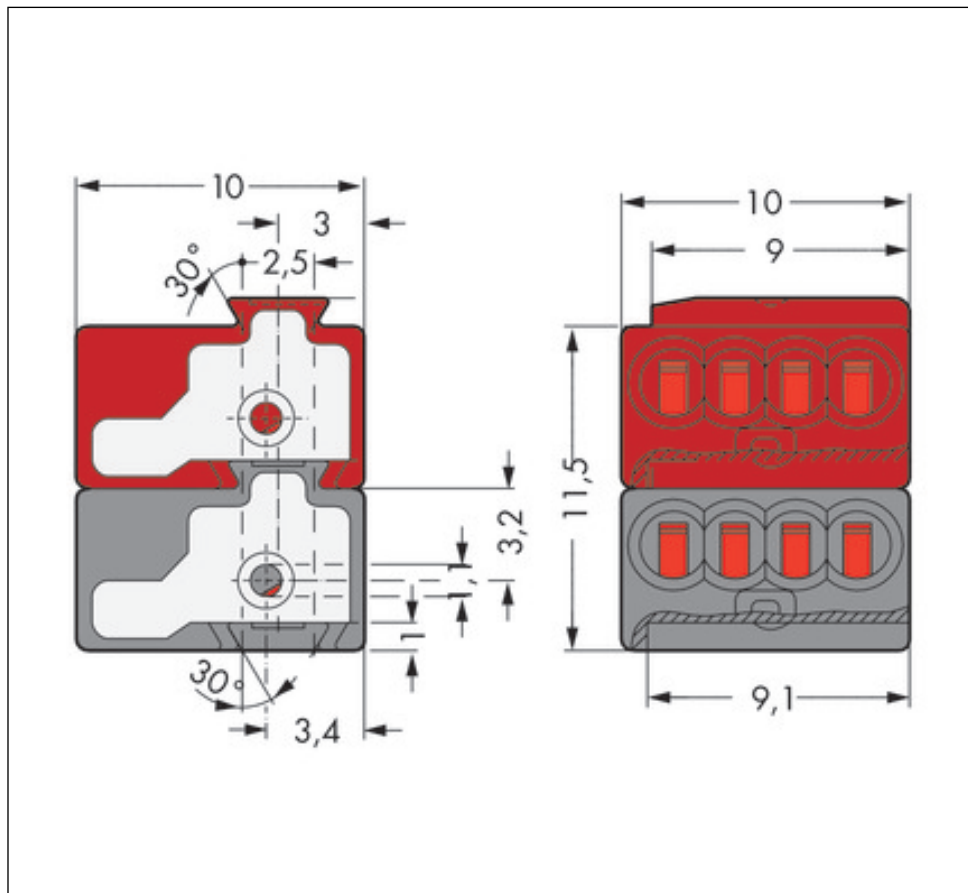
#### Miscellaneous

No. of poles	2
Total number of connection points	8
Total number of potentials	2
Color	dark gray/red
Ratings per	IEC/EN 60664-1

<b>Technical data</b>	
<i>Rated voltage (III / 3) [V]</i>	250 [V]
<i>Rated impulse voltage (III / 3) [kV]</i>	4 [kV]
<i>Rated voltage (III/2) [V]</i>	100 [V]
<i>Rated current [A]</i>	6 [A]
<i>Legend for ratings</i>	<i>(III / 2) Overvoltage category III / Pollution degree 2</i>
<i>Number of connection objects</i>	1
<i>Number of levels</i>	1
<i>Connection technology</i>	<i>PUSH WIRE®</i>
<i>Number of connection points connector</i>	4
<i>Conductor diameter information</i>	<i>When using different conductor diameters</i>
<i>Conductor diameter</i>	0.6 - 0.8 mm
<i>Conductor diameter information 2</i>	<i>When using identical conductor diameters</i>
<i>Strip length</i>	5 ... 6 mm / 0.2 ... 0.24 Inch
<i>Conductor diameter 2</i>	1 mm
<i>Material group</i>	I
<i>Insulating material</i>	Polyamide 66 (PA 66)
<i>Flammability class per UL94</i>	V0
<i>Limit temperature range</i>	-60 ... 105 °C
<i>Clamping spring material</i>	Chrome nickel spring steel (CrNi)
<i>Contact material</i>	Electrolytic copper (Ecu)
<i>Contact plating</i>	tin-plated
<i>Fire load [MJ]</i>	0.024 [MJ]
<i>Weight [g]</i>	1.6 [g]
<i>Width</i>	10 mm / 0.394 Inch
<i>Height</i>	11.5 mm / 0.453 Inch
<i>Depth</i>	10 mm / 0.394 Inch

Images & drawings





#### Address

WAGO Kontakttechnik GmbH & Co. KG

Hansastr. 27

32423 Minden

Telefon: 0571/887-0

Fax: 0571/887-169

<http://www.wago.com>

© WAGO Kontakttechnik GmbH & Co. KG

Technische Änderungen und Irrtümer vorbehalten.