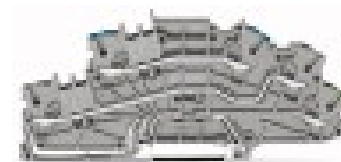




## Multilevel installation terminal block; N/L/PE

Item No.: 2003-6646



Multilevel installation terminal block; N/L/PE

### Marking

RoHS ✓  
Compliant

### Business data

Supplier	WAGO
Item no.	2003-6646
GTIN / EAN	4050821322061
Content	1
Order amount	50
Customer item number	

### Notes

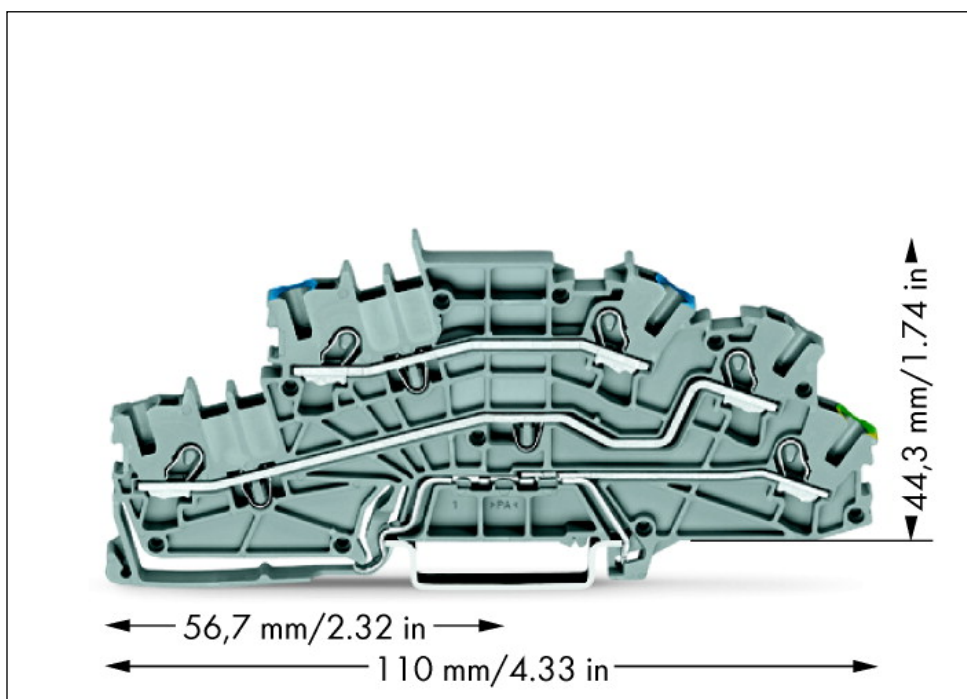
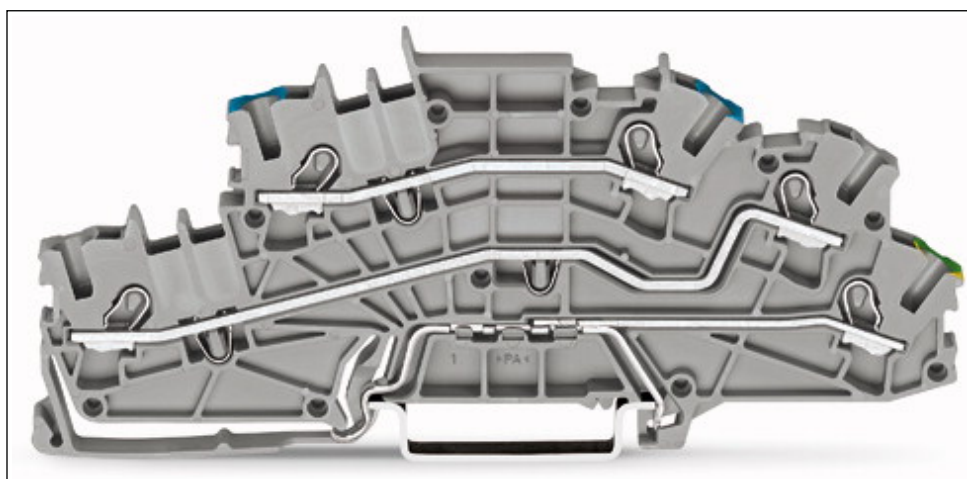
### Technical data

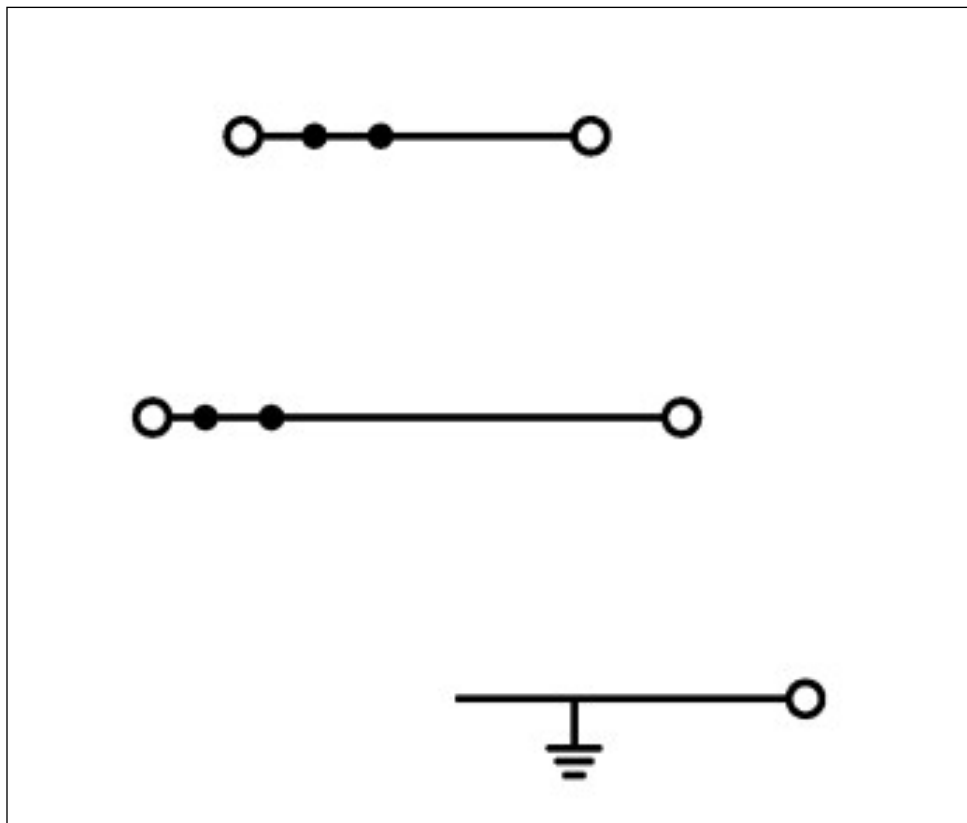
#### Miscellaneous

Total number of connection points	5
Total number of potentials	3
Potential marking	N/L/PE
Color	gray
Ratings note	potential-ground
Rated voltage (III / 3) [V]	250 [V]

<b>Technical data</b>	
<i>Rated impulse voltage (III / 3) [kV]</i>	<i>4 [kV]</i>
<i>Rated current [A]</i>	<i>24 [A]</i>
<i>Ratings note 2</i>	<i>potential-potential</i>
<i>Rated voltage (III / 3) 2 [V]</i>	<i>400 [V]</i>
<i>Rated impulse voltage (III / 3) 2 [kV]</i>	<i>6 [kV]</i>
<i>Number of levels</i>	<i>3</i>
<i>Connection technology</i>	<i>Push-in CAGE CLAMP®</i>
<i>Number of connection points connector</i>	<i>5</i>
<i>Actuation type</i>	<i>Operating tool</i>
<i>Connectable conductor materials</i>	<i>Copper</i>
<i>Nominal cross section</i>	<i>2.5 mm<sup>2</sup></i>
<i>Solid conductor</i>	<i>0.25 ... 4 mm<sup>2</sup> / 22 ... 12 AWG</i>
<i>Solid conductor, push-in termination</i>	<i>0.75 ... 4 mm<sup>2</sup> / 18 ... 12 AWG</i>
<i>Fine-stranded conductor</i>	<i>0.25 ... 4 mm<sup>2</sup> / 22 ... 12 AWG</i>
<i>Fine-stranded conductor with ferrule, push-in termination, m</i>	<i>0.75 mm<sup>2</sup> / 18 AWG</i>
<i>Strip length</i>	<i>10 ... 12 mm / 0.39 ... 0.47 Inch</i>
<i>Type of wiring</i>	<i>Front-entry wiring</i>
<i>Design</i>	<i>angled</i>
<i>Marking level</i>	<i>Center/side marking</i>
<i>Insulating material</i>	<i>Polyamide 66 (PA 66)</i>
<i>Fire load [MJ]</i>	<i>0.308 [MJ]</i>
<i>Weight [g]</i>	<i>20.162 [g]</i>
<i>Width</i>	<i>5.2 mm / 0.205 Inch</i>
<i>Height from upper-edge of DIN-35 rail</i>	<i>44.3 mm / 1.744 Inch</i>
<i>Depth</i>	<i>110 mm / 4.331 Inch</i>
<i>Type of mounting</i>	<i>DIN-35 x 15 carrier rail</i>

Images & drawings





#### Address

WAGO Kontakttechnik GmbH & Co. KG

Hansastr. 27

32423 Minden

Telefon: 0571/887-0

Fax: 0571/887-169

<http://www.wago.com>

© WAGO Kontakttechnik GmbH & Co. KG

Technische Änderungen und Irrtümer vorbehalten.