



Multilevel installation terminal block; with pivoting knife disconnect; LT/L/PE

Item No.: 2003-6644



Multilevel installation terminal block; with pivoting knife disconnect; LT/L/PE

Marking

RoHS ✓
Compliant

Business data

Supplier	WAGO
Item no.	2003-6644
GTIN / EAN	4050821654292
Content	1
Order amount	50
Customer item number	

Notes

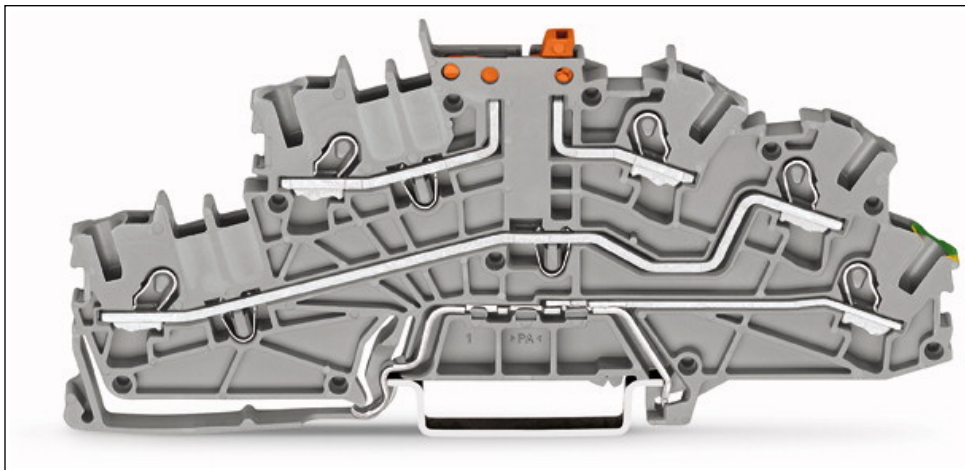
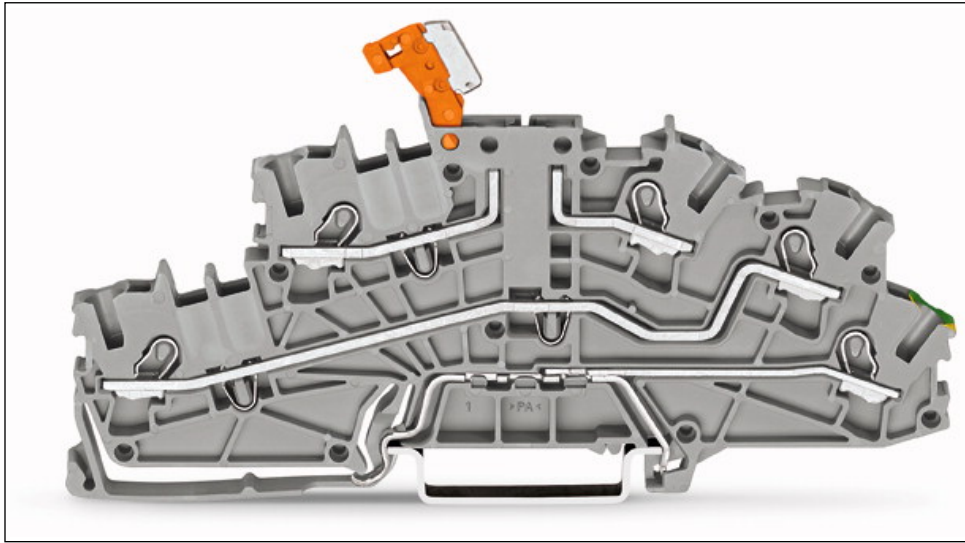
Technical data

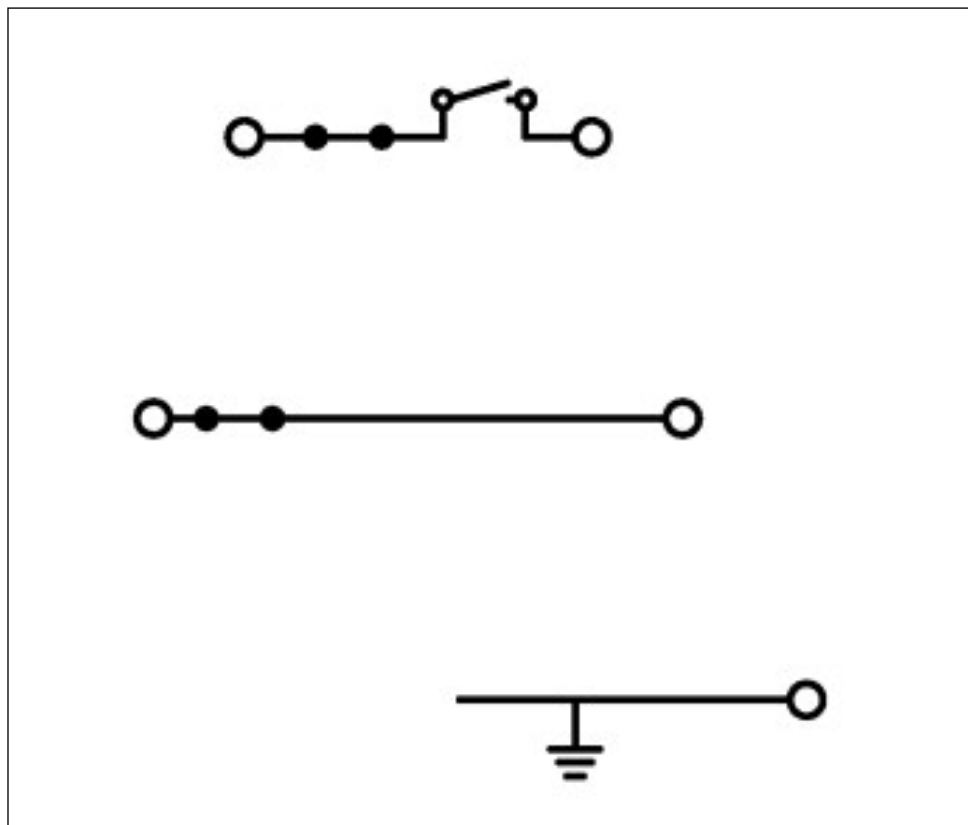
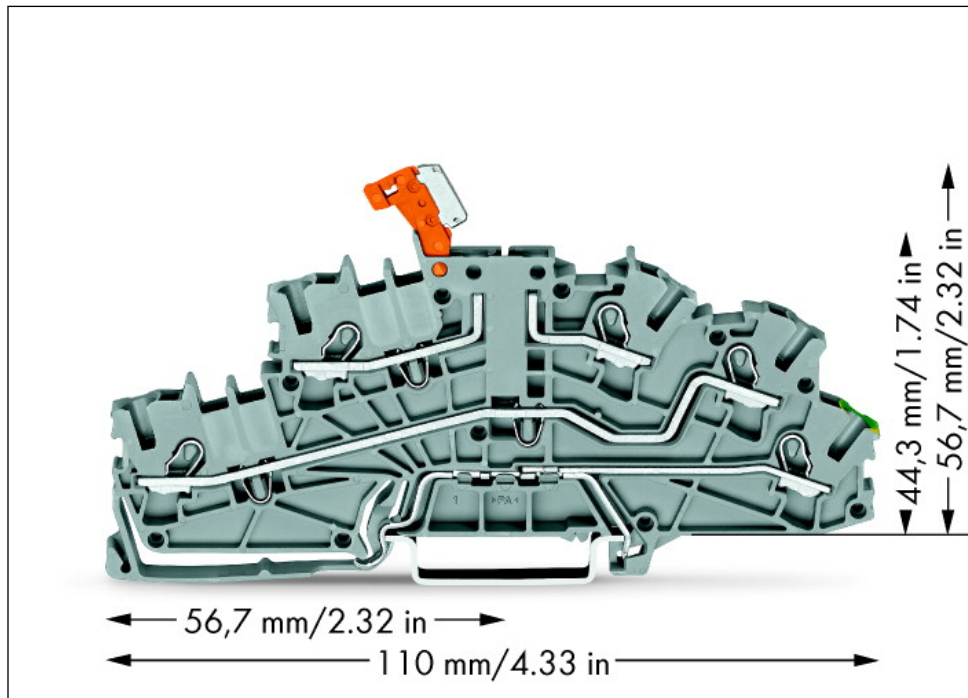
Miscellaneous

Total number of connection points	5
Total number of potentials	3
Potential marking	LTi/L/PE
Color	gray
Ratings note	potential-ground
Rated voltage (III / 3) [V]	250 [V]

Technical data	
<i>Rated impulse voltage (III / 3) [kV]</i>	4 [kV]
<i>Rated current [A]</i>	20 [A]
<i>Ratings note 2</i>	<i>potential-potential</i>
<i>Rated voltage (III / 3) 2 [V]</i>	400 [V]
<i>Rated impulse voltage (III / 3) 2 [kV]</i>	6 [kV]
<i>Number of levels</i>	3
<i>Connection technology</i>	<i>Push-in CAGE CLAMP®</i>
<i>Number of connection points connector</i>	5
<i>Actuation type</i>	<i>Operating tool</i>
<i>Connectable conductor materials</i>	<i>Copper</i>
<i>Nominal cross section</i>	2.5 mm ²
<i>Solid conductor</i>	0.25 ... 4 mm ² / 22 ... 12 AWG
<i>Solid conductor, push-in termination</i>	0.75 ... 4 mm ² / 18 ... 12 AWG
<i>Fine-stranded conductor</i>	0.25 ... 4 mm ² / 22 ... 12 AWG
<i>Fine-stranded conductor with ferrule, push-in termination, m</i>	0.75 mm ² / 18 AWG
<i>Strip length</i>	10 ... 12 mm / 0.39 ... 0.47 Inch
<i>Type of wiring</i>	<i>Front-entry wiring</i>
<i>Design</i>	<i>angled</i>
<i>Marking level</i>	<i>Center/side marking</i>
<i>Insulating material</i>	<i>Polyamide 66 (PA 66)</i>
<i>Fire load [MJ]</i>	0.316 [MJ]
<i>Weight [g]</i>	20.449 [g]
<i>Width</i>	5.2 mm / 0.205 Inch
<i>Height from upper-edge of DIN-35 rail</i>	54.7 mm / 2.154 Inch
<i>Depth</i>	110 mm / 4.331 Inch
<i>Type of mounting</i>	<i>DIN-35 x 15 carrier rail</i>

Images & drawings





Address

WAGO Kontakttechnik GmbH & Co. KG

Hansastr. 27

32423 Minden

Telefon: 0571/887-0

Fax: 0571/887-169

<http://www.wago.com>

© WAGO Kontakttechnik GmbH & Co. KG

Technische Änderungen und Irrtümer vorbehalten.