

Description

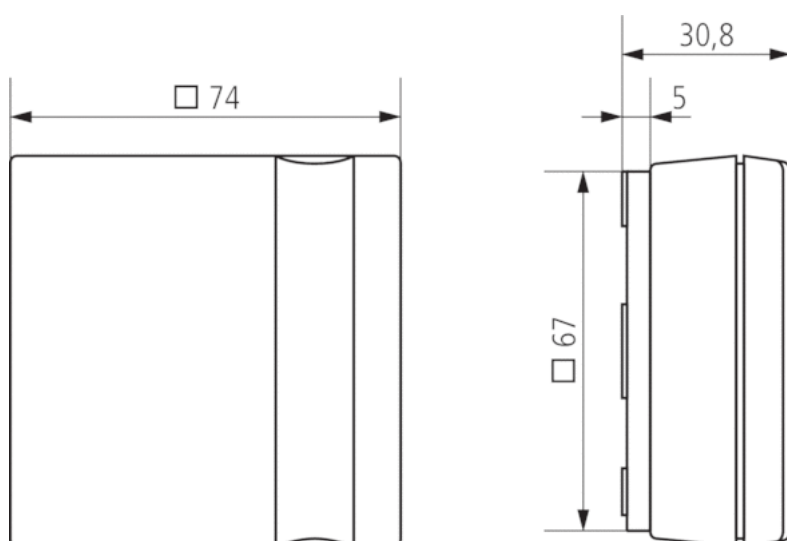


- Individual room thermostat
- For controlling heating actuators or motorised actuators
- Can be used as a continuous or two point control (can also be combined)
- Temperature sensor can be connected to give remote temperature reading
- Objects for night operation (only with "old" operation mode selection) presence, window/frost.
- LED (red) for heating mode
- Inputs can be reconfigured to outputs for connecting LED (LED 1 mA types)
- 2 binary inputs for conventional switches/sensors (switch/sensor, dimmer, blinds, valuator, LED control)
- Can be installed in flush-mounted sockets (temperature sensor with electronic component can be removed from housing and installed in flush-mounted sockets with back-ventilated cover)
- With integrated bus coupling unit

Technical data

Operating voltage KNX	Bus voltage, ≤ 10 mA
Type of connection	Bus connection: KNX bus terminal Sensor connection: Terminal screws
Installation type	Wall installation or on flush-mounted socket
Output configuration LED	Low current 1 mA (LED 1 mA types)
Interface extension max.	5 m
Ambient temperature	-5 °C ... +45 °C
Measuring range temperature	-20 °C ... +60 °C
Contact voltage	3,3 V Internal provided
Contact current	0,1 mA
Reaction in case of bus recovery	Adjustable
Max. cable length	5 m
Type of protection	IP 20
Protection class	II according to EN 60 730-1

Scale drawings



Article number: 7129200

Accessories

Temperature sensor

- Article number: 9070321
[Details](#) ▶ www.theben.de

