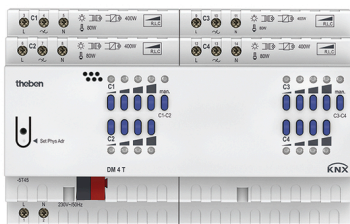


Description

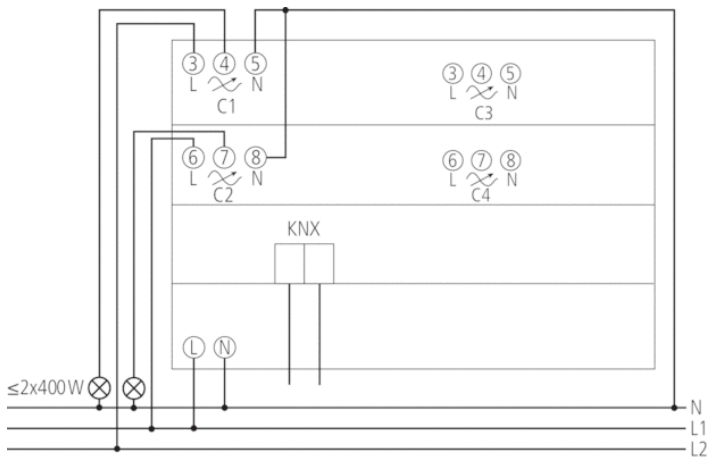
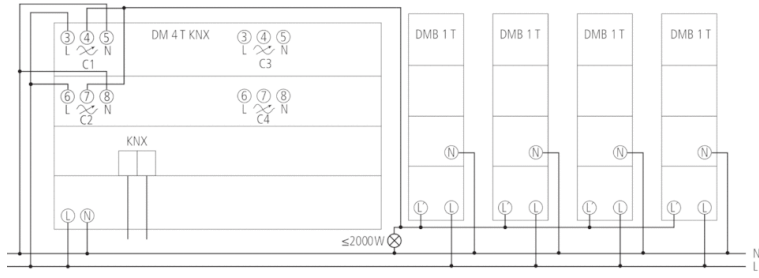


- 4-way universal dimmer actuator MIX2
- For dimming dimmable LED, incandescent lamps, LV, HV halogen lamps and energy saving lamps
- Also suitable for dimming of dimmable energy-saving lamps
- Also suitable for controlling fans
- LED switching status display for each channel
- Manual operation on device (even without bus connection)
- Dimming output: 400 W/VA per channel or 800 W/VA in parallel operation
- The dimming output can be upgraded by using additional dimmboosters "DMB 1 T KNX" - dimming output 300 W/VA for each dimmbooster. Output to a maximum of 2000 W/VA by using max. 4 boosters possible
- Automatic load detection (can be deactivated)
- For R, L and C loads

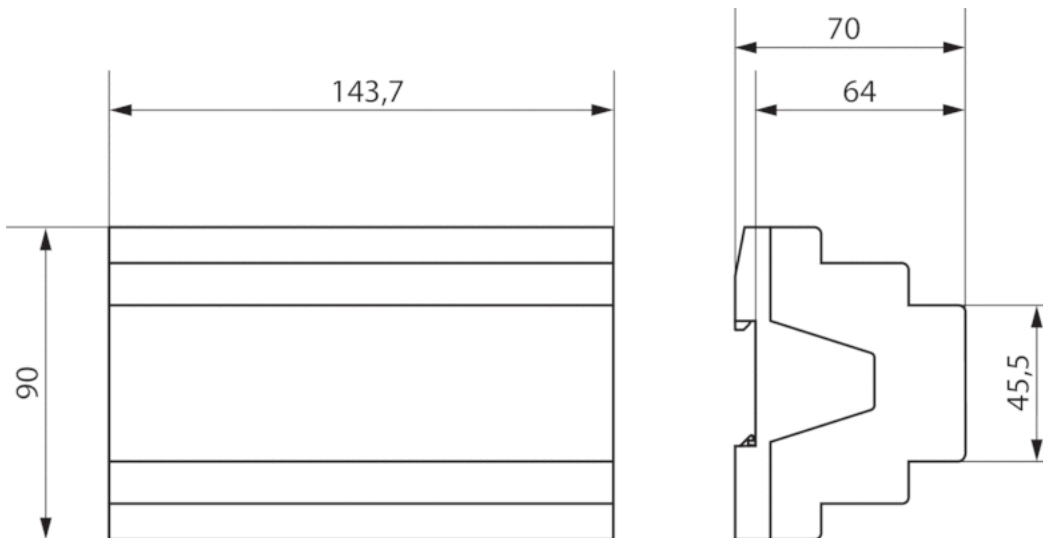
Technical data

Operating voltage KNX	Bus voltage, ≤ 4 mA
Operating voltage	230 V AC
Frequency	50 Hz
Stand-by consumption	$\sim 1,5$ W
Width	8 modules
Installation type	DIN rail
Type of connection	Terminal screws Bus connection: KNX bus terminal
Max. cable cross section	Solid wire: 0.5 mm ² (\varnothing 0.8) to 4 mm ² Stranded wire with end sleeve: 0.5 mm ² to 2.5 mm ²
Number of channels	4
Lamp types	Incandescent, low-voltage and high-voltage halogen and dimmable energy saving lamps and LED
Switching capacity per channel	400 W
Switching capacity in parallel operation	800 W
Switching capacity dimmable energy saving lamps per channel	80 W
Switching capacity dimmable 230 V LED per channel	60 W
Switching capacity min.	5 W
Max. cable length	100 m
Ambient temperature	-5 °C ... +45 °C
Type of protection	IP 20
Protection class	II according to EN 60 669

Connection example



Scale drawings



Article number: 4940275

Accessories

DMB 1 T KNX

- Article number: 4930279
[Details](#) ▶ www.theben.de

