

Description



5 years
guarantee*



- KNX Passive infrared presence detector for ceiling mounting
- Square detection range of 360° (up to 100 m²) for safe and easy planning
- 3 channel light and 2 channel presence
- 2 channel light C1, C2 with 2 light measurements and additional lighting channel C3 without brightness factor
- 2 presence channels can be set individually
- Adaptable 3 channel light measurement
- Mixed light measurement suitable for LEDs, fluorescent lamps (FL/PL/ESL) and halogen/incandescent lamps
- Can be used as fully or semi-automatic, switchable
- Switch or constant light control mode with stand-by function
- Dimmable lighting in switch mode with stand-by function
- Brightness switching value or set point value can be set in lux using parameters, on the device itself or via remote control
- Teaching in of the brightness switching value or the set point value
- Room correction factor setting for brightness measurement calibration
- Light time delay can be set using parameters, on the device itself or via remote control
- Switch on delay and time delay for presence can be set
- Detection sensitivity can be set
- Self-learning time delay
- Reduced time delay in the event of a shorter stay in the room (short presence)
- Scenario functions
- Extremely easy setting of energy saving characteristics with the new "eco plus" function
- Test mode for checking function and detection range
- Parallel switching of several detectors in Master/Slave or Master/Master possible
- User remote control and management-remote control (optional)
- Room monitoring
- * According to warranty terms and conditions, see www.theben.de/en/guarantee

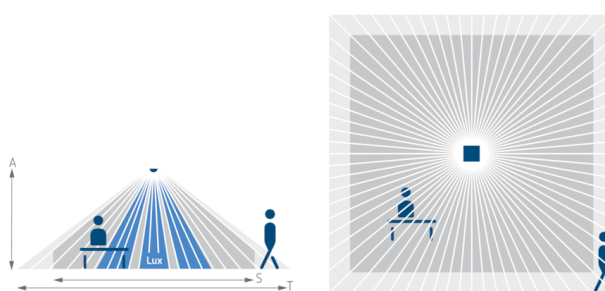
Technical data

Operating voltage KNX	Bus voltage, ca. 9 mA
Recommended installation height	2 – 3,5 m
Minimum height	> 1,7 m
Setting range brightness	5 – 3000 lx
Detection angle	360°
Type of connection	Spring terminals WAGO 243
Installation type	Ceiling installation
Light switch-off delay	30 s – 60 min
Lamps	energy saving lamps, fluorescent lamps, Incandescent/halogen lamps, LEDs
Light measurement	Mixed light measurement
Presence switch-off delay	10 s - 120 min
Switch-on delay presence	10 s – 30 min / inactive
Ambient temperature	+0 °C ... +50 °C
Type of protection	IP 20 (IP 40 when fitted)

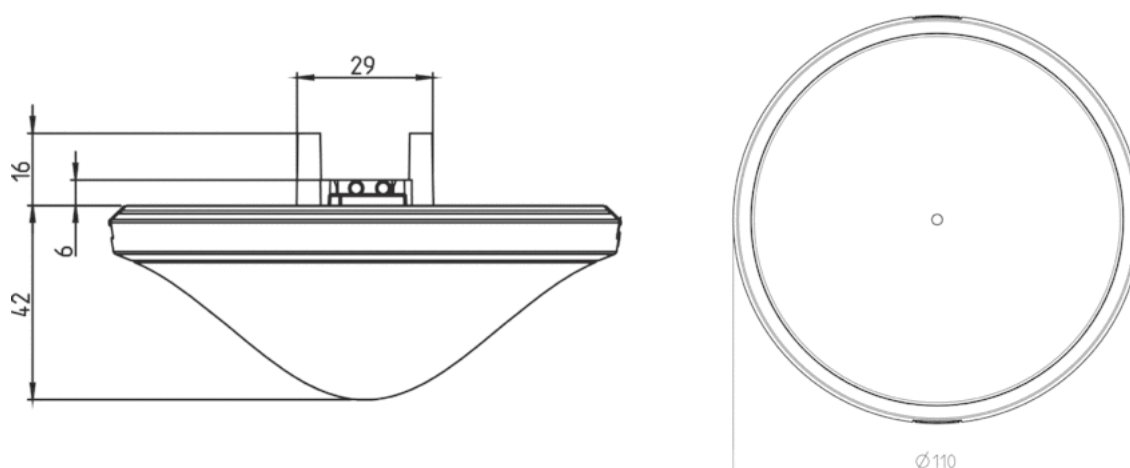
Article number: 2079000

Detection range

Mounting height (A)	Sitting (S)	Walking (T)
2 m	20 m ² 4,5 m x 4,5 m	36 m ² 6 m x 6 m ± 0,5 m
2,5 m	36 m ² 6 m x 6 m	64 m ² 8 m x 8 m ± 0,5 m
3 m	49 m ² 7 m x 7 m	81 m ² 9 m x 9 m ± 1 m
3,5 m	64 m ² 8 m x 8 m	100 m ² 10 m x 10 m ± 1 m
5 m	–	144 m ² 12 m x 12 m ± 1,5 m
10 m	–	400 m ² 20 m x 20 m ± 2 m



Scale drawings



Accessories

Surface frame 110A WH

- Article number: 9070912
Details ▶ www.theben.de



Surface frame 110B WH

- Article number: 9070918
Details ▶ www.theben.de

SendoPro 868-A

- Article number: 9070675
Details ▶ www.theben.de



theSenda P

- Article number: 9070910
Details ▶ www.theben.de



theSenda S

- Article number: 9070911
Details ▶ www.theben.de



Ceiling installation box 73A

- Article number: 9070917
Details ▶ www.theben.de



Article number: 2079000

QuickSafe

- Article number: 9070531
Details ▶ www.theben.de

