

Description

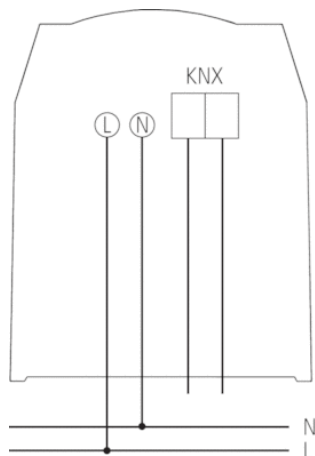


- Self contained outdoor weather station
- For measuring wind, rain, brightness and temperature
- For fully automatic blinds and sun protection control with automatic adjustment of blinds according to position of the sun
- Rain sensor with integrated heating
- The weather station can also be operated without mains supply. The heating of the rain sensor will not function then
- Measurement and evaluation directly on device
- Sun protection for up to three facades via 3 integrated brightness sensors
- 4 additional threshold channels for connection of external KNX sensors
- 6 logic channels
- Display of weather data e.g. with VARIA 826 KNX multi-function display

Technical data

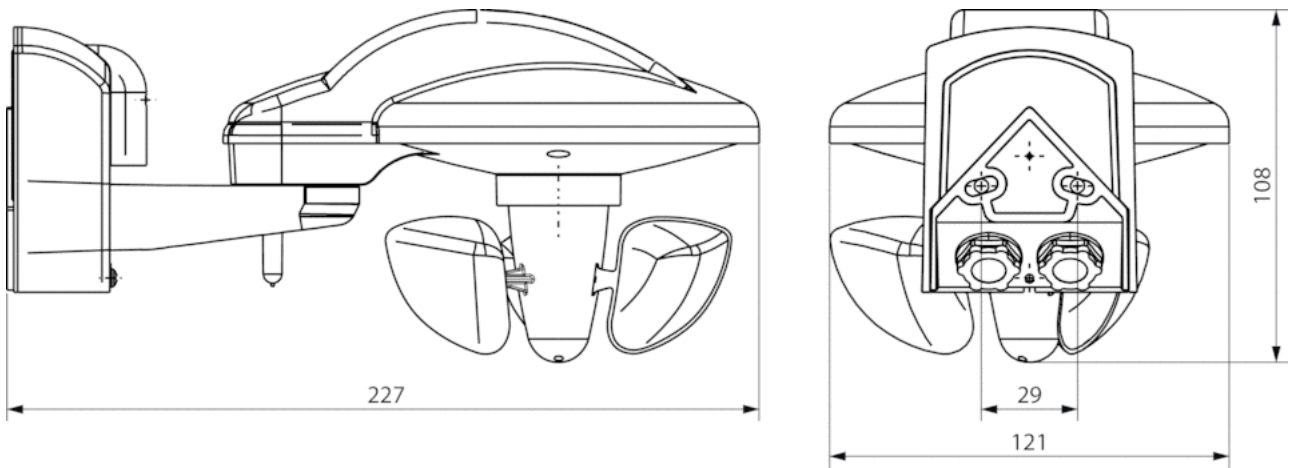
Operating voltage	110 – 230 V AC
Frequency	50 – 60 Hz
Operating voltage KNX	Bus voltage, ≤ 10 mA
Stand-by consumption	$< 0,5$ W
Installation type	Wall installation
Measuring range brightness	1 – 100000 lx
Measuring range temperature	-30 °C ... +60 °C
Measuring range wind speed	2 – 30 m/s
Ambient temperature	-20 °C ... +55 °C
Protection class	II
Type of protection	IP 44

Connection example



Article number: 1409200

Scale drawings



Accessories

Mast mounting weather station

- Article number: 9070380
Details ▶ www.theben.de

