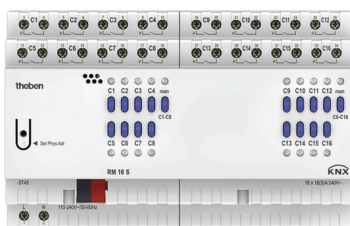


Description

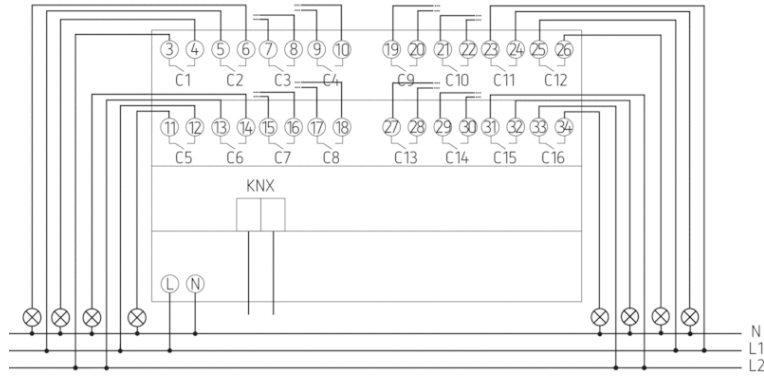


- 16-way switching actuator FIX2
- LED switching status display for each channel
- Manual operation on device (even without bus connection)
- Adjustable characteristics: e.g. switching, delayed switching, pulse function
- Links, type of contact (NC contact/NO contact) and participation in central commands such as continuous On, continuous Off, central switching and save/call up scene
- Switching functions: On/Off, pulse, On/Off delay, staircase light with warning
- Logical links: e.g. lock, AND, release, OR

Technical data

Operating voltage KNX	Bus voltage, ≤4 mA
Operating voltage	110 – 240 V AC
Frequency	50 – 60 Hz
Stand-by consumption	~0,5 W
Installation type	DIN rail
Width	8 modules
Type of connection	KNX bus terminal
Max. cable cross section	Solid wire: 0.5 mm ² (Ø 0.8) to 4 mm ² Stranded wire with end sleeve: 0.5 mm ² to 2.5 mm ²
Number of channels	16
Type of contact	NO contact, 16 A, 3 A
Opening width	< 3 mm
Resistive load	3680 W
Incandescent lamp load	2000 W
Fluorescent lamp load (conventional) parallel-corrected	1300 W (140 µF)
Fluorescent lamp load (conventional) not corrected	2000 VA
Fluorescent lamp load (electronic ballast)	1200 W
Energy saving lamps	300 W
LED lamp < 2 W	55 W
LED lamp 2-8 W	180 W
LED lamp > 8 W	200 W
Voltage output	240 V AC
Switching output	Potential-free
Switching of various phases	Possible
Suitable for SELV	Yes if all channels switch at SELV
Ambient temperature	-5 °C ... +45 °C
Type of protection	IP 20
Protection class	II

Connection example



Scale drawings

