

Description



- Passive infrared presence detector for ceiling installation
- Circular detection area 360°, up to Ø 9 m (64 m²)
- Automatic presence- and brightness-dependent control for lighting and HVAC
- Mixed light measurement suitable for fluorescent (FL/PL/ESL), halogen/ incandescent lamps and LEDs
- 2 light channels C1, C2
- Switching operation or constant light control with standby function (orientation light)
- Switching mode with dimmable lighting
- Choice of fully or semi-automatic
- Brightness switching value or set point value can be set in lux by using parameters, the object or via remote control
- Teach-in of the brightness switching value or the set point value
- Reduction of time delay when present briefly (short-term presence)
- Manual override by telegram or remote control
- 2 presence channels C4, C5, individually configurable
- Switch-on delay and time delay configurable
- Setting the room correction factor for brightness measurement comparison
- Adjustable sensitivity
- Test mode for checking function and detection area
- Scenes
- Parallel switching of multiple presence detectors (Master/Slave or Master/ Master)
- User remote control «theSenda S» (option)
- Management remote control «SendoPro 868-A» (option)
- Installation remote control «theSenda P» (option)

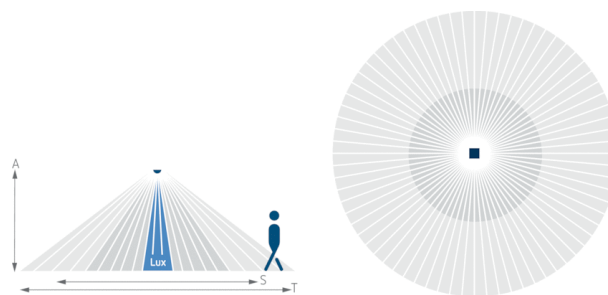
Technical data

Operating voltage KNX	Bus voltage, ca. 9 mA
Installation height	2 – 3 m
Minimum height	> 1,7 m
Setting range brightness	10 – 3000 lx
Detection angle	360°
Type of connection	KNX bus terminal
Installation type	Ceiling installation
Light switch-off delay	30 s – 60 min
Lamps	Energy saving lamps, fluorescent lamps, Incandescent/halogen lamps, LEDs
Light measurement	Mixed light measurement
Presence switch-off delay	10 s - 120 min
Switch-on delay presence	10 s – 30 min / inactive
Ambient temperature	-15 °C ... +50 °C
Colour	White
Type of protection	IP 54 (when fitted)

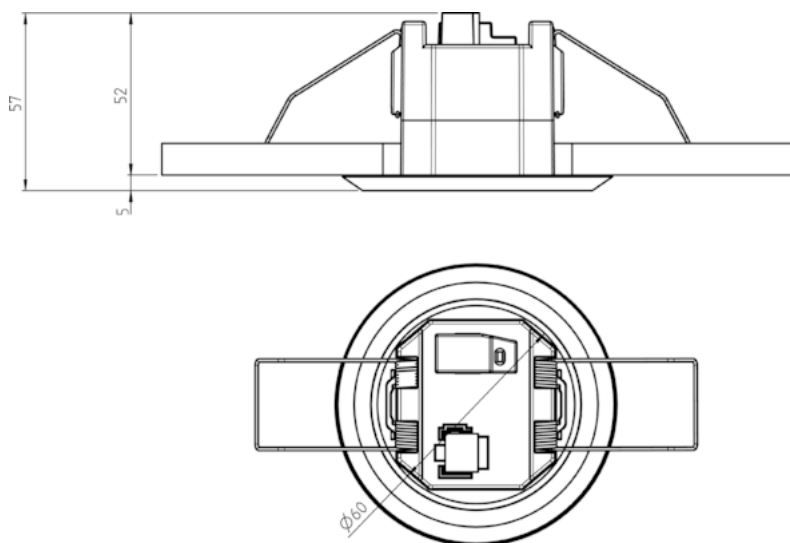
Article number: 2089560

Detection range

Mounting height (A)	Sitting (S)	Walking (T)
2 m	5 m ² 2,5 m	38 m ² 7 m
2,5 m	7 m ² 3 m	38 m ² 7 m
3 m	13 m ² 4 m	50 m ² 8 m
3,5 m	13 m ² 4 m	50 m ² 8 m
4 m	–	64 m ² 9 m



Scale drawings



Accessories

SendoPro 868-A

- Article number: 9070675
 Details ▶ www.theben.de



theSenda P

- Article number: 9070910
 Details ▶ www.theben.de



theSenda S

- Article number: 9070911
 Details ▶ www.theben.de

