



KNX Control Touch Panel	Order No.: 90120
--------------------------------	-------------------------

Equipment types and accessories
--

KNX Control Touch Panel for 230V AC Supply	90120
Design panel Natural anodised aluminium	90137
Design panel Bead-blasted stainless steel	90138
Design panel Glass, black, high-gloss	90127
Design panel Glass, white, high-gloss	90142
Installation / cavity wall box for installing devices	90128

Please note that a design panel, which must be ordered separately, is absolutely necessary for installing the device!

Scope of delivery

The scope of delivery for the KNX control touch panel includes the following individual components:

- One complete device with plugged bus terminal
- One included mains terminal
- Four assembly screws
- One dismantling tool
- One USB cable, 1m (Type A Type Mini-B connector)→
- One manual with installation instructions and instructions of use

Application programs

The following application programs are currently available:
BEG_KNX_TouchPanel_v1.0.vd3

Please see the description of the application program for how to use it

Technical data

Power supplies

- Via the 30 V KNX bus
- Power supply 230 V, 50 to 60 Hz
- Current consumption: KNX: 4mA
Mains: 50 mA

Operating elements

- Learning key for switching between normal / addressing mode
- Reset button for resetting the device
- Resistive analogue touch with touch-sensitive display surface

Display elements

- Red LED for indicating normal / addressing mode
- Graphics-capable TFT display, 320 x 240 pixels (1/4 VGA)
5.7 inches with LED backlight

Connections

- Bus: KNX bus terminal
- USB port, Mini-B type (use only when required)
- Power supply: 3 x 1.5 mm², single and multiple strands

Mechanical data

- TouchControl housing: Terez 32/19V0 ABS
- Dimensions of the visible surface: 250 x 180 x 4 mm, 4 mm protruding from the wall, installation depth into the flush-mounted box: 64 mm
- Dimensions of the corresponding flush-mounted box: 161.5 x 135 x 64 mm
- Weight: 420 g
- Installation: screwed into the corresponding flush-mounted box

Electrical safety

- Degree of soiling: 2
- Degree of protection (in accordance with EN 60529): IP20
- Protective class (in accordance with IEC 1140): I
- Overvoltage category: III
- Bus: SELV DC 24 V safe low voltage

EMC requirements

Fulfils EN 50081-1 and EN 50082-2, EN 50090-2-2

Ambient conditions

- Climatic resistance: EN 50090-2-2,
- Ambient conditions during use: 0°C to +45°C
- Storage temperature: 25°C to +70°C
- Relative humidity (non-condensing): 5% to 93%

Approval

KNX / EIB registered

CE mark

In accordance with EMC directive (residential and functional buildings), low voltage directive

General use

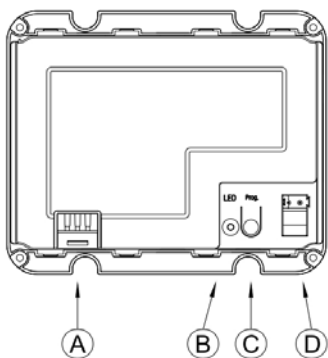
The KNX control touch panel is a multifunctional control panel for controlling and displaying up to 110 standard functions and numerous special functions via KNX. It uses a high quality 320 x 240 pixel TFT colour display with touch screen. The colour depth is 262 K (R, G, B 6 bit). Controls are effected directly from the touch screen.

KNX Control Touch Panel **Order No.: 90120**



Controls and connections located on the rear

The device connections as well as the elements required for commissioning, i.e. learning key and programming LED, are accessible on the rear of the device. The drawing shows the rear of the device.



The KNX bus may be connected using a standard bus terminal, which may be plugged into the corresponding terminal slot on the right side of the housing (D). The learning key (C) and the programming LED (B) are located to the left of the bus terminal's slot. The connecting terminal for the 230 V power supply is located on the left side of the device (A). The terminal must be removed to connect the supply lines.

It is absolutely necessary to follow the connection sequence indicated on the housing!

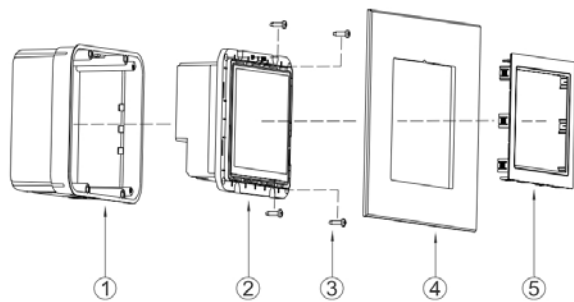
Installation instructions

- The device is suitable for fixed installation indoors, for dry rooms.
- The device may only be used with the specified accessories, particularly the specified flush-mounted box.
- No 230 V devices that have not been included in the scope of delivery may be used inside the flush-mounted box and no 230 V cables may be looped through it!
- The device may only be installed and taken into operation by a licensed electrician!

- The applicable safety and accident-prevention regulations must be observed!

Installing the device

The KNX control touch panel (2) may only be installed in the designated flush-mounted box (1). When feeding the cable into the flush-mounted box, care must be taken that the bus cable is inserted through the lower left opening and that the power cable is inserted through the right side. The bus and mains cable should not be routed together through one opening into the flush-mounted box. The cable must be routed inside the box in such a way that a minimum distance of 10 mm is ensured between the bus and mains cables.



Once the bus terminal and the mains terminal have been connected to the cables, the terminals must be plugged into the corresponding sockets on the KNX control touch panel.

The mains voltage may only be switched on when the connector plug has been securely plugged into the device, i.e. it has snapped into place!

Once the bus voltage and the mains voltage have been activated, the learning key may be pressed and the physical device address programmed. The LED must switch off after the physical address has been programmed.

Please note that booting when the device is started may take up to one minute. The unit cannot be used during this time!

Once the device has been connected, it must be screwed into the fitted box with the four screws provided (3). The protective film on the display may now be removed. No sharp objects or tools may be used to do so. Once the device has been screwed into place and the protective film has been removed, the desired design panel (4) may be fitted on to the device. The design panel's direction of fitting must be observed here. A notch in the display opening prevents the panel from being fitted incorrectly. The notch must always point upwards and engage with the display's respective pins. Finally, the panel mount (6) and the decorative frame (5) must be placed on to the display and snapped into place to secure the design panel. The direction of installation must also be observed when fitting the panel mount. It must be fitted in such a way that all the display frame's elements are completely covered.

No pressure may be exerted directly on the display glass when fitting the design panel. The glass may break.

The device may be taken into operation and the application program loaded once installation has been completed.

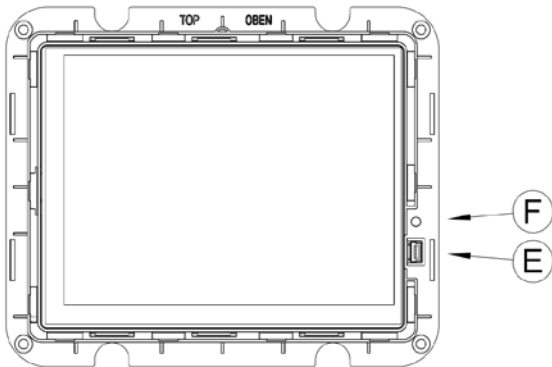
KNX Control Touch Panel **Order No.: 90120**

Removing the device / replacing the design frame

The frame mount must first be removed before the device may be removed or the design frame replaced. The provided removal tool may be used to remove the frame by the bottom edge. Only slight pressure may be applied to the display to release the catch. **Please only use the removal tool.** Do not damage the display surface with the tip of a screwdriver!
Once the frame mount has been removed, the ornamental frame may be removed and the design frame may be replaced or the device may be completely taken out.

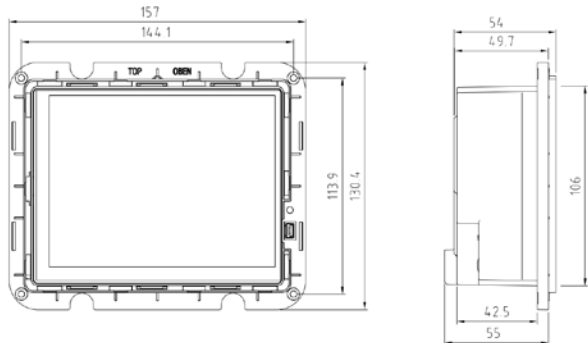
Resetting the device in the event of an error

The KNX control touch panel may be reset using the reset button in the event of an error. The reset button (F) may be accessed after the design frame has been removed (see above). It may be pressed with a tool. If, in rare cases, due to a fault in the software or during the loading process, the display has stopped working, please briefly press the reset button. The device will then restart within a few seconds and the design panel may be replaced as described above.



Extended programming using the front USB port

Customer-specific images or other additional functions (see description of the application program) may be programmed using a notebook and the mini-USB connector (E) on the front. The USB port will be accessible after the design frame has been removed (see above). Please use the included USB cable with Type B mini-USB connector to connect the display to a PC with a USB interface. The customer-specific images for the slideshow may be uploaded and extended device programming may be carried out through this interface.
Please remove the cable and replace the design frame as described above once programming has been completed.



Care instructions

The design frame and the display's plastic surface maybe cleaned using commercially available, solvent-free cleaning products. The display surface itself should only be cleaned with a damp cloth and mild glass cleaner if necessary. Please do not use mechanical aids (rough sponge or similar) for cleaning. The touch screen is sensitive to scratches.

Device dimensions

The device's exact dimensions are shown in the drawing below.

KNX Control Touch Panel **Order No.: 90120**

Dimensions of the flush-mounted box / drill template

A hole in the wall or cavity wall sized 161.5 x 135 x 64 mm will be required to fit the flush-mounted box. The hole may be easily created with the help of a hole saw possessing a diameter of 35 mm. Four holes at a horizontal distance of 126.5 mm / vertical distance of 100 mm must be drilled to this end (see drawing). The remaining brickwork or plasterboard must be removed With a suitable tool. The hole must be at least 64 mm deep.

